



SUMITOMO CHEMICAL CO., LTD.

SUMISANSUI-M

Epoch making irrigation materials with fine holes

New tube system for mist-type irrigation



Packaging

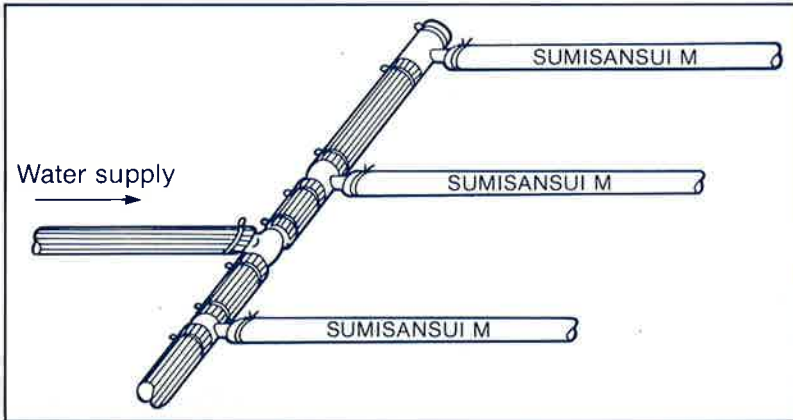


Characteristics

- Mild mist-like water covers broad area along SUMISANSUI-M.
- Easy setting and good durability.
- Uniform water feed for long distance (100m) with low pressure.
- Inexpensive tubes made of special blend polyethylene.

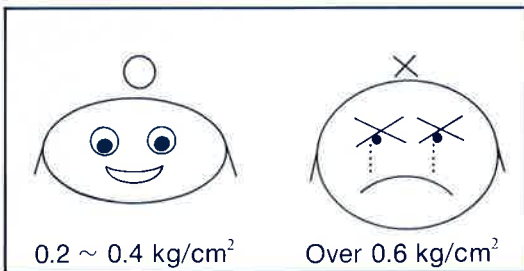
SUMISANSUI-M

How to use



- The fine water holes are on the tube side printed with the product name "SUMISANSUI-M"; be sure in the tube installment that this side faces up.
- When an existing piping available, the SUMISANSUI-M can be connected to a PVC pipe (20 mm dia.).
- SUMISANSUI-M can be used in two ways; spray and drip irrigation with high- and low water pressure respectively.

Attention for the use



- The suitable water pressure for SUMISANSUI-M is 0.2 - 0.4 kg/cm². The excessive water pressure may damage the tube.
- Use a filter to prevent tube clogging in the feed of soiled water.
- If a filter can not be installed, provide a drainage at the furrow end, and discharge sludges from the tube inside periodically for trouble-free irrigation.

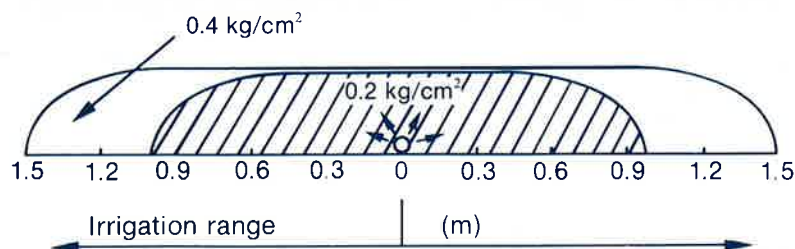
Specifications

Items	Specifications
Tube width (flattened)	50 mm
Standard water feed rate	180 - 390 cc/min·m
Material	Special polyethylene
Tube unit length	100 m/roll
Packing	5 rolls

Water feed rate (cc/min·m)

Water pressure	Tube length		
	30 m	50 m	100 m
0.2 kg/cm ²	260	240	180
0.4 kg/cm ²	390	350	250

Water pressure and irrigation range



SUMITOMO CHEMICAL CO., LTD.

5-33, 4-CHOME, KITAHAMA
CHUO-KU, OSAKA, JAPAN